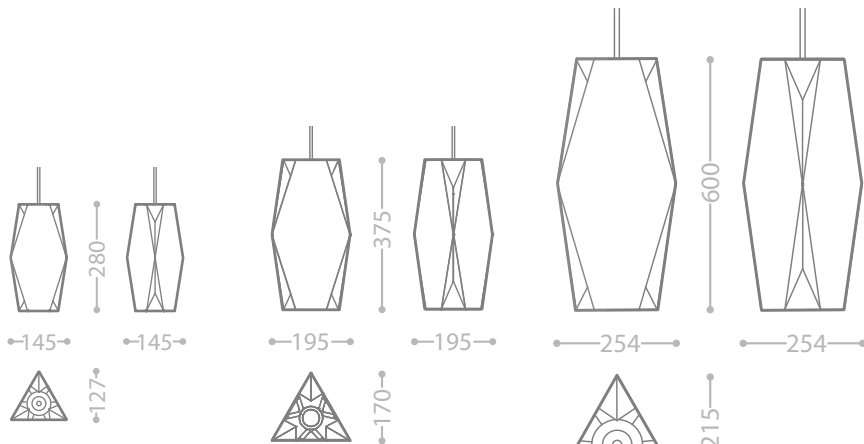




Throwing a constellation of diffused light through the crescendo of the Anise pattern, *Anise Pendant* is simply beautiful. Fabricated from a delicate sheet of metal with attention given to every detail, *Anise Pendant* is available in three sizes- 28, 38 or 60, and two finishes of either brass or stainless steel.



anise pendant 28

anise pendant 38

anise pendant 60

